

Job: _____

Engineer: _____

Contractor: _____

Prepared By: _____ Date: _____

Model: _____ Indoor/Outdoor: _____

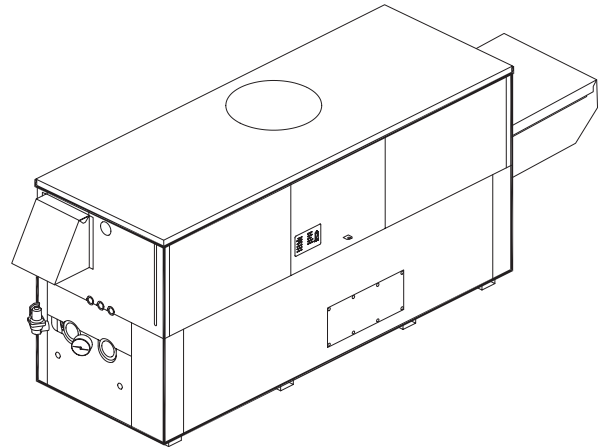
Hi Delta[®] - Type H

Hydronic Heating Boiler
Models 992BE-2342BE

87% Efficiency

MBTUH Input: _____

- ◆ 100% Factory Fire Tested
- ◆ Efficiency: 87%
- ◆ Maximum Outlet Temperature: 230°F
- ◆ Minimum Non-Condensing Inlet Temperature: 120°F
- ◆ Thermal Shock Proof Heat Exchanger
- ◆ Limited Twenty-Year Thermal Shock Warranty
- ◆ Limited Ten-Year Closed-System Heat Exchanger Warranty
- ◆ Diagnostic Center with Fault History
- ◆ PolyTuf Powder Coated Cabinet
- ◆ No Combustible Floor Shield Required
- ◆ Fan-Assisted
- ◆ Patented Burner Security Blanket



Heat Exchanger

- H Stamp
- Headers
 - Glass-Lined Cast Iron – Standard
 - Bronze – Option A-1
- ASME Inspected and Stamped
160 PSIG Working Pressure
- National Board Approved
- Fin Tubing
 - Copper – Standard
 - Cupro Nickel – Option A-3
- ASME Steel Tube Sheet
- Silicone High Temp. O-Rings
- ASME Pressure Relief Valve
 - 60 PSIG – Standard
 - _____ PSIG – Optional
- Temperature and Pressure Gauge
- Water Connections
 - Left – Standard
 - Right – Option A-6

Controls

- 120V, 60Hz, 1Ø Power Supply
- 120/24V 60Hz Transformer
- 100% Shut-Off/Lockout
- Hot Surface Ignition
- Remote Flame Sensor
- High Limit Control, Manual Reset
- On/Off Power Switch
- Manual Shut-Off, Front-Mounted
- Flow Switch
- Blocked Vent Pressure Switch
- Combustion Air Proving Switches
- Economaster Pump Time Delay
- Enable/Disable

Gas Train

- Manual Gas Shut-Off Valve(s)
- Gas Pressure Regulator
- Safety Shut-Off Valve
- Firing Control Valve
- Low Gas Pressure Switch, Manual
- Firing Mode
 - 3-Stage (H8): Model 992BE
 - 4-Stage (H9): Models 1262BE - 2342BE
- Fuel
 - Natural Gas
 - Propane Gas
 - 4" WC Gas Supply Pressure G-20
- Design Certified ANSI Z21.13/ CSA 4.9

Construction

- Indoor/Outdoor Construction
- Enclosed Front Controls

Venting

- Vent Location
 - Top – Standard
 - Rear – Option D-14
- Vent Termination Cap
 - Outdoor D-11
 - Indoor, Horizontal D-15
 - Indoor, Vertical (by others)
- Combustion Air
 - In-Line Filter Kit (TruSeal only) D-17
 - Air Intake Elbow D-16
- Extractor – Optional
 - By others
 - Not required

Burner

- Ultra-Low NOx: Less than 30 PPM

Temperature Controls

- B-__ TempTracker Digital Controller, 4-Stage
- Y-241 Electronic Sequencer, 4-Stage
- Y-281 Electronic Sequencer, 8-Stage

Options

- C-6 Ignition Module, Manual Reset
- D-21 TruSeal[®] Direct Vent
- F-10 Low Water Cut-Off, Remote Probe
- I-1 High Limit Control, Auto Reset
- P-__ Pump: _____ HP, 120V, 1Ø, 60Hz
- Water Hardness: _____ GPG
 - Cast Iron Bronze
 - Mounted Loose
 - Front Rear
- P-26 Cold Water Start (See 2000.49)
- S-2 High Gas Pressure Switch, Manual
- X-1 SureRack[™] Kit
- X-2 SureRack Add-on

Regulatory Agency Requirements

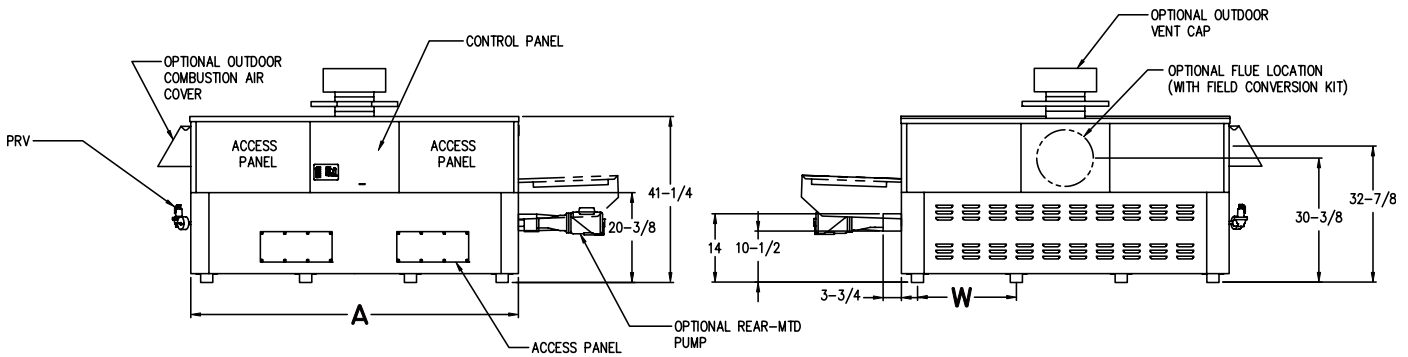


Raypak[®]
A Rheem[™] Company

Hi Delta – Type H

Models 992BE-2342BE, 87% Efficiency

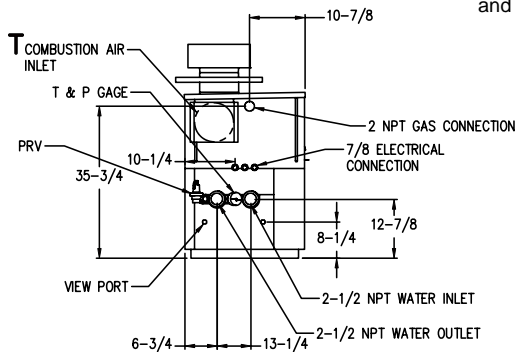
Model _____



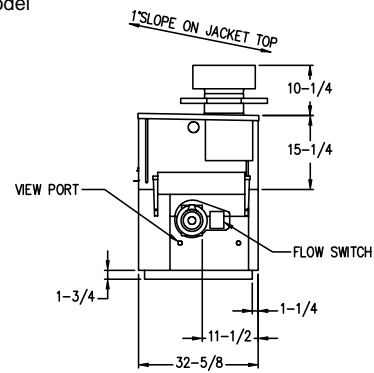
FRONT VIEW

BACK VIEW

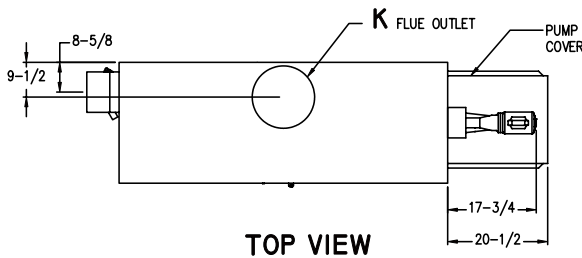
NOTE: Pump location varies based on model and application.



LEFT SIDE



RIGHT SIDE



TOP VIEW

RATES OF FLOW AND PRESSURE DROPS

Model	20°F ΔT		30°F ΔT		Min. Flow		Max. Flow			
	GPM	ΔP (ft)	GPM	ΔP (ft)	GPM	ΔP (ft)	ΔT	GPM	ΔP (ft)	ΔT
992BE	86	6.0	57	2.7	43	1.6	40	132	14.0	13
1262BE	110	10.7	73	4.9	55	2.8	40	132	15.5	17
1532BE	132	16.5	89	7.6	67	4.4	40	132	16.5	20
1802BE	N/A	N/A	104	11.6	78	6.5	40	132	18.0	24
2002BE	N/A	N/A	116	15.1	87	8.7	40	132	19.5	26
2072BE	N/A	N/A	120	16.2	90	9.3	40	132	19.5	27
2342BE	N/A	N/A	N/A	N/A	102	13.0	40	132	21.0	31

Basis is 30 GPM or 40°F ΔT for minimum flow, 132 GPM for maximum flow.

SPECIFICATIONS

Model	MBTUH		Firing Stages	A Width	H NPT	K	T	W	Amp. Draw*	Approx. Shipping Wt. (Lbs.)
	Input	Output								
992BE	990	861	3	57-1/8	2-1/2	10	10	16-13/16	<12	900
1262BE	1260	1096	4	68-1/2	2-1/2	12	10	20-9/16	<12	1010
1532BE	1530	1331	4	79-7/8	2-1/2	12	10	24-3/8	<12	1225
1802BE	1800	1566	4	91-1/8	2-1/2	14	10	28-1/8	<12	1350
2002BE	1999	1739	4	102-1/2	2-1/2	14	10	31-15/16	<12	1450
2072BE	2070	1801	4	102-1/2	2-1/2	14	10	31-15/16	<12	1450
2342BE	2340	2036	4	113-7/8	2-1/2	16	10	35-11/16	<12	1520

Dimensions are in inches.

* Without pump

NOTES: 1. Rates shown are for natural or propane gas, and elevations up to 5,000 feet. For installation above 5,000 feet, please contact manufacturer.
2. Required natural gas pressure is 7 – 10.5" WC. Required propane gas pressure is 11 – 13" WC.

Raypak, Inc. ▪ 2151 Eastman Avenue, Oxnard, CA 93030 ▪ (805) 278-5300 ▪ Fax (800) 872-9725 ▪ www.raypak.com